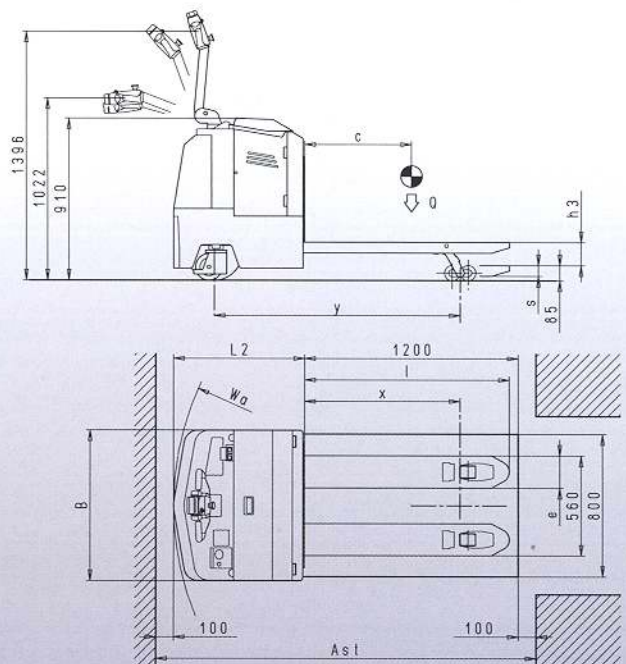


TM 30-30 P.O.



VERSION WITH OPERATOR'S PLATFORM



TECHNICAL DATA		TM 30	TM 30 P.O.
Q	- Capacity	Kg	3000
c	- Load centre	mm	600
l	- Fork lengths	mm	1150
x	- Load distance	mm	874 ①
y	- Axle distance	mm	1383 ①
L2	- Length	mm	737 841/1215 ②
e	- Individual fork width	mm	180
s	- Fork thickness	mm	60
h3	- Lift height	mm	130
Wa	- Turning radius	mm	1611 ① 1736/2095 ① ②
B	- Total width	mm	845
Ast	- Aisle width	mm	2137 2262/2622 ②

① with forks in rest position it is increased by 92 mm.
② vertical platform / horizontal platform



samag

Characteristics	Maker	Firm	SAMAG		
	Model	Name	TM 30	TM 30 PO	
	Capacity	Q = Load maximum	t.	3,0	
	Load centre	c = Load centre distance	mm.	600	
	Traction	Battery, Diesel, Gas, Electric	BATTERY		
	Steering	Tiller, operator standing / seated	TILLER		
	Tyres	V = Solid, L = Pneumatic front drive/rear load	V/V		
	Wheels (X = driving)	Quantity front/rear	1X+4/4		
	Lift height	h3 = Lift	mm.	130	
Dimensions	Fork carrier plate	DIN / F.E.M. / ISO / Covering	No		
	Forks	s - e - l	mm.	60x180x1150	
	Overall dimensions	L2 = Length including fork support	mm.	737	841 - 1215 ❶
		B = Total width	mm.	780	
	Turning radius	Wa	mm.	1611 ❷	1736 - 2095 ❷❸
	Load position	X from middle front axes	mm.	874 ❷	
Aisle width	Asl with pallet 800x1200 longitudinal	mm.	2137	2262 - 2622 ❶	
Performance	Speed	Movement with/without load	Km/h	5/6	5/6 - 7,8/10,5 ❶
		Lift with/without load	m/s	0,02 / 0,07	
		Lowering with/without load	m/s	0,11 / 0,05	
Gradeability	With/without load	%	-		
Max gradeability	With/without load (KB 5 min.)	%	5/17		
Weights	Weight	Including battery	Kg.	830	950 ❸
	Axle load	With load front/rear	Kg.	1270/2580	1350/2600 ❸
		Without load front/rear	Kg.	680/170	760/190 ❸
Traction	Wheels	Quantity front/rear	5-4		
		Front dimensions	mm.	Ø310x90 / Ø150x50	
		Rear dimensions	mm.	Ø85x70	
	Wheel base	Y	mm.	1383 ❷	
	Wheel track	At tyre centres front/rear	mm.	673/280	
	Space	With load m1 at lowest point	mm.	35	
		With load m2 at centre of wheel base	mm.	155	
	Service brake	Mechanical/hydraulic/electric/pneumatic	Electric		
	Parking brake	With foot/hand/dead man	Dead man		
Controls	Battery	DIN	NO		
		Tension/capacity with 5 hrs. of discharge	V/Ah	24/280	
		Weight	Kg.	255	
	Electric motor	Traction motor power (KB 60 min.)	Kw	1,5 (Separate excitation)	
		Lift motor power with 15%	Kw	1,5	
	Transmission	Type	Electronic		
Drive unit	Type	Helicoidal gearings			
Work pressure	For equipment (accessories)	bar	130		
Noise level	Average noise level of human hearing	dB (A)	<70		

AST includes "a" (manoeuvring space) = 200 mm.

- ❶ The first value indicates closed platform, second lowered for transporting operator.
- ❷ With forks in rest position, increases by 92 mm.
- ❸ Values without operator.

