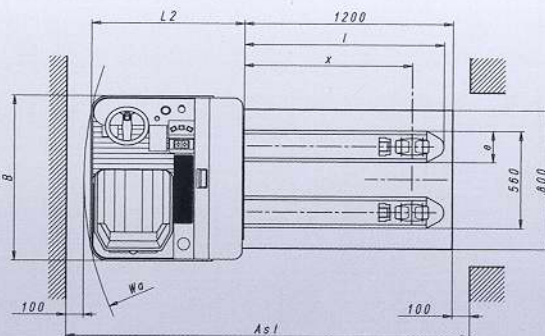
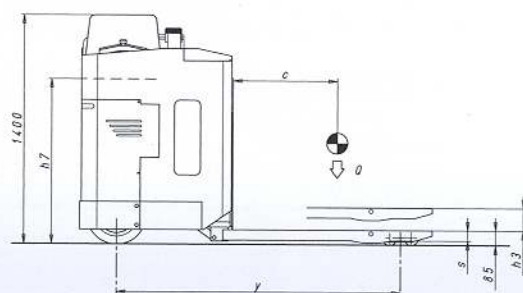


# TOP 30-34



- Electric Power Steering
- Electronic Energy Regain Installation
- Twinned Swivel Castors on Oscillating Axle
- Brake Pedal with Hydraulic Adjustments
- Spring Loaded Seat with 4 Adjustments



TECHNICAL DATA		TOP 30	TOP 34	
Q	- Capacity	Kg	3000	3300
c	- Load centre	mm	600	600/1200
l	- Fork lengths	mm	1150	1150/2350
x	- Load distance	mm	873	873/1526
y	- Axle distance	mm	1545	1700/2352
L2	- Length	mm	885	1040
e	- Individual fork width	mm	180	
s	- Fork thickness	mm	60	
h3	- Lift height	mm	130	
Wa	- Turning radius	mm	1800	1952/2594
B	- Total width	mm	950	
Ast	- Aisle width	mm	2327	2480/3668

Ⓢ with forks in rest position + 92 mm.

## samag

Characteristics		Maker	Firm			
Model		Name	TOP30	TOP34		
Capacity		Q = Load maximum	t.	3,0	3,3	
Load centre		c = Load centre distance	mm.	600	600 / 1200	
Traction		Battery, Diesel, Gas, Electric				
Steering		Tiller, operator standing / seated				
Tyres		V = Solid, L = Pneumatic front drive/rear load				
Wheels (X = driving)		Quantity front/rear	1X+2/4			
Lift height		h3 = Lift	mm.		130	
Fork carrier plate		DIN / F.E.M. / ISO / Covering			mm.	NO
Forks		s - e - l	mm.	60x180x1150	60x180x1150/2350	
Overall dimensions		L2 = Length including fork support	mm.	885	1040	
		B = Total width	mm.	950		
		h7 = Height operator's seat	mm.	990		
Turning radius		Wa	mm.	1800	1952/2594	
Load position		X from middle front axes	mm.	873	873/1526	
Aisle width		Ast with pallet 800x1200 longitudinal	mm.	2327	2480/3668	
Speed		Movement with/without load	Km/h	7,5 / 10,5	8 / 11	
		Lift with/without load	m/s	0,02 / 0,07		
		Lowering with/without load	m/s	0,11 / 0,05		
Gradeability		With/without load	%	-		
Max gradeability		With/without load (KB 5 min.)	%	7 / 17		
Weight		Including battery	Kg.	1130	1380/1540	
Axle load		With load front/rear	Kg.	1500/2720	1700/3070 - 1757/3173	
		Without load front/rear	Kg.	880/250	1080/300 - 1210/330	
Wheels		Quantity front/rear	3 - 4			
		Front dimensions	mm.	Ø 343x114 / Ø 200x75		
		Rear dimensions	mm.	Ø 85x70		
Wheel base		Y	mm.	1545	1700/2352	
Wheel track		At tyre centres front/rear	mm.	543 / 380		
Space		With load m1 at lowest point	mm.	51		
		With load m2 at centre of wheel base	mm.	155		
Service brake		Mechanical/hydraulic/electric/pneumatic			Hydraulic	
Parking brake		With foot/hand/dead man			Hand	
Battery		DIN	NO			
		Tension/capacity with 5 hrs. of discharge	V/Ah	24 / 360-500	48/315 - 375	
		Weight	Kg.	310 - 390	570	
Electric motor		Traction motor power (KB 60 min.)	Kw	3,5		
		Lift motor power with 15%	Kw	1,5	2	
		Electric steering motor	Kw	0,2		
Transmission		Type	Electronic			
Drive unit		Type	Helicoidal Gears			
Work pressure		For equipment (accessories)	bar	130	150	
Noise level		Average noise level of human hearing	dB(A)	< 70		

Ast includes "a" (manoeuvring space) = 200 mm.

❶ With forks in rest position, it increases by 92 mm.

